

Crystal LTD TM SPEC Form [www.crystaltherm.com](http://www.crystaltherm.com)

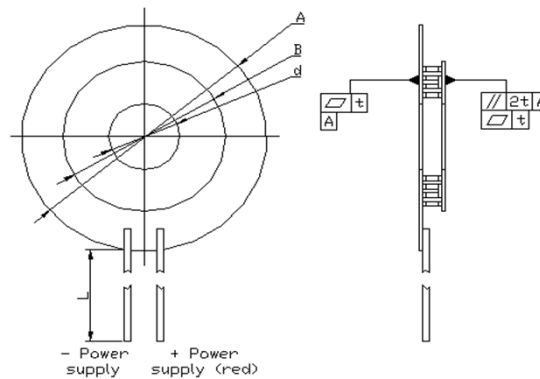
Customer

PO#  
PO date

Thermoelectric module (TM) specification

PO position #	TM	Internal Solder Melting Temp, C	Max operating temperature, °C		Parameters in vacuum at hot side temperature 25 °C				Rac at 25 °C		Ceramic size, mm		TM Height		Wire			Sealing
			short time	continuous operation	I <sub>max</sub> , A	U <sub>max</sub> , V	Q <sub>max</sub> , W	dT <sub>max</sub> , K	Rac, Ohm	Tolerance ±, %	A/B	d	Height, mm	Tolerance t, ± mm	S, AWG #	Length, mm	Tolerance ±, mm	
1	S-014-14-25-RH-L2	138	130	115	3.5	1.8	3.9	75.5	0.38	10	26/26	14	4.70	0.02	22	100	5	
															PVC			

Clamping force: 3.3 - 6.6 kg



Max dT is reduced by 2-3K for silicon sealed and 1-2K for epoxy sealed versions.



### U(dT) at $T_{hot}=298K$

