



Thermoelectric air conditioner TAC-AC-200

Features

- Compact design and small weight.
- Ease of installation and connection.
- Connection to AC power supply outside or inside.
- Voltage range 100- 130 VAC (at rated voltage 115 VAC), 200- 240 VAC (at rated voltage 230 VAC). Frequency range 50/60 Hz in the range from 90 to 110% of rated voltage.
- Environmentally friendly solid state heat exchange operation with no CFC refrigerants.
- Precise temperature control.
- Drainage of condensate from the outside.
- Ability to use as the dehumidifier.
- Possibility to place the temperature sensor at a distance of 1 meter from the air conditioner.

Applications

- APCS cabinets
- Analytical equipment
- Medical diagnostics
- Industrial measuring instrument
- Cabinets with electronic or electrical systems
- Vending machines
- Automatic saturators, beverage dispensers
- Lockers with refrigerated cells
- Safe-refrigerator for storing narcotic analgesics
- Thermostatic chambers for the cultivation biological substances

Equipment meets the RoHS compliant



TAC - AC - 200

LEGEND for ordering

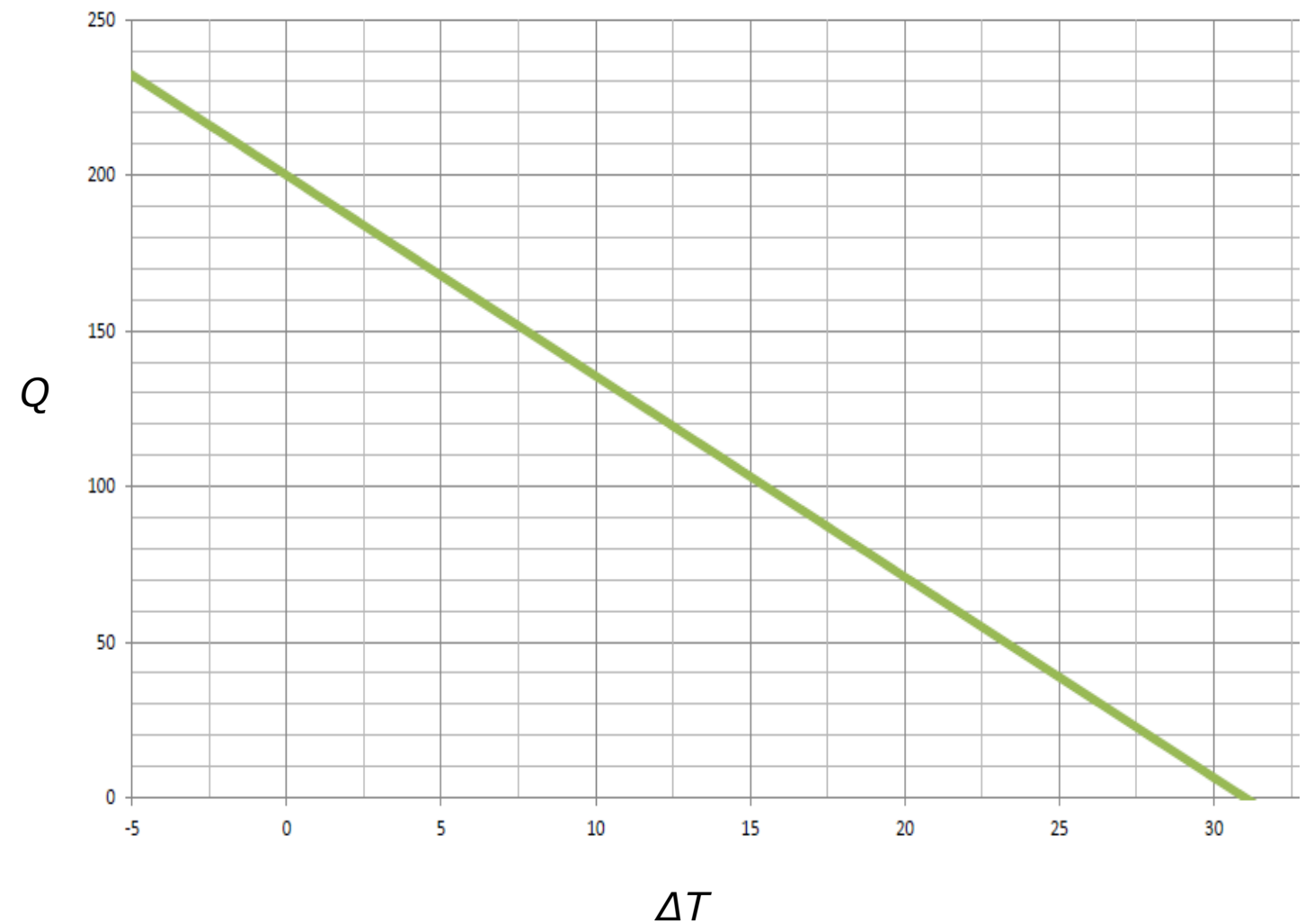
TAC - AC - 200 -

Optional mounting method:

IO = Installation from the outside

II = Installation from the inside

Performance Q[ΔT]



$$\Delta T^{\circ}\text{C} = T^{\circ}\text{C ambient} - T^{\circ}\text{C internal}$$

Q - cooling capacity, W.

For ambient temperature +35 °C and rated voltage

Specifications TAC-AC-200

Geometric dimensions version II (mounting on screws from the inside of the cabinet)	235x420x155 mm
Geometric dimensions version II (mounting on screws from the inside of the cabinet)	275x420x155 mm
Weight* II / IO	7 kg / 7.2 kg
Ecological	Not use harmful refrigerant chemicals
Orientation in space	Installation on vertical surfaces carried out according to the mounting scheme.
Wall thickness at the mounting site	Not limited
AC power supply	Voltage range 100~130V (rated voltage 115V), 200~240V (rated voltage 230V), 50/60 Hz (in the range from 90 to 110% of rated voltage).
Max W. of consumption	250 W
Rated W. consumption in ON mode constantly	190 W
Max cooling capacity at ΔT=0°C / ΔT= -5°C	200 W / 232 W
Working environment temperature	+15 °C - +60 °C
Relative humidity	20% - 85% (no condensation)
Visual control	Current and seting temperature
Control method	On/Off control (Hysteresis is adjustable), P, PI, PD, PID
Sampling time	0.5 cek.
LCD display of temperature controller	7-segment LED display discharge size 8x10 mm
Sound pressure level max.	47.0 dB(A) distance 1m
Electrical connection	Inside the cabinet or outside the cabinet
Temperature sensor location	At the housing of the air conditioner at internal air inlet area (factory setting), the possibility of installation up to 1 meter inside the cabinet

NOTE!

A method of transferring heat - forced convection.

Not recommended to reduce the effective flow area of the air circulation channels and perforated surfaces of the housing.

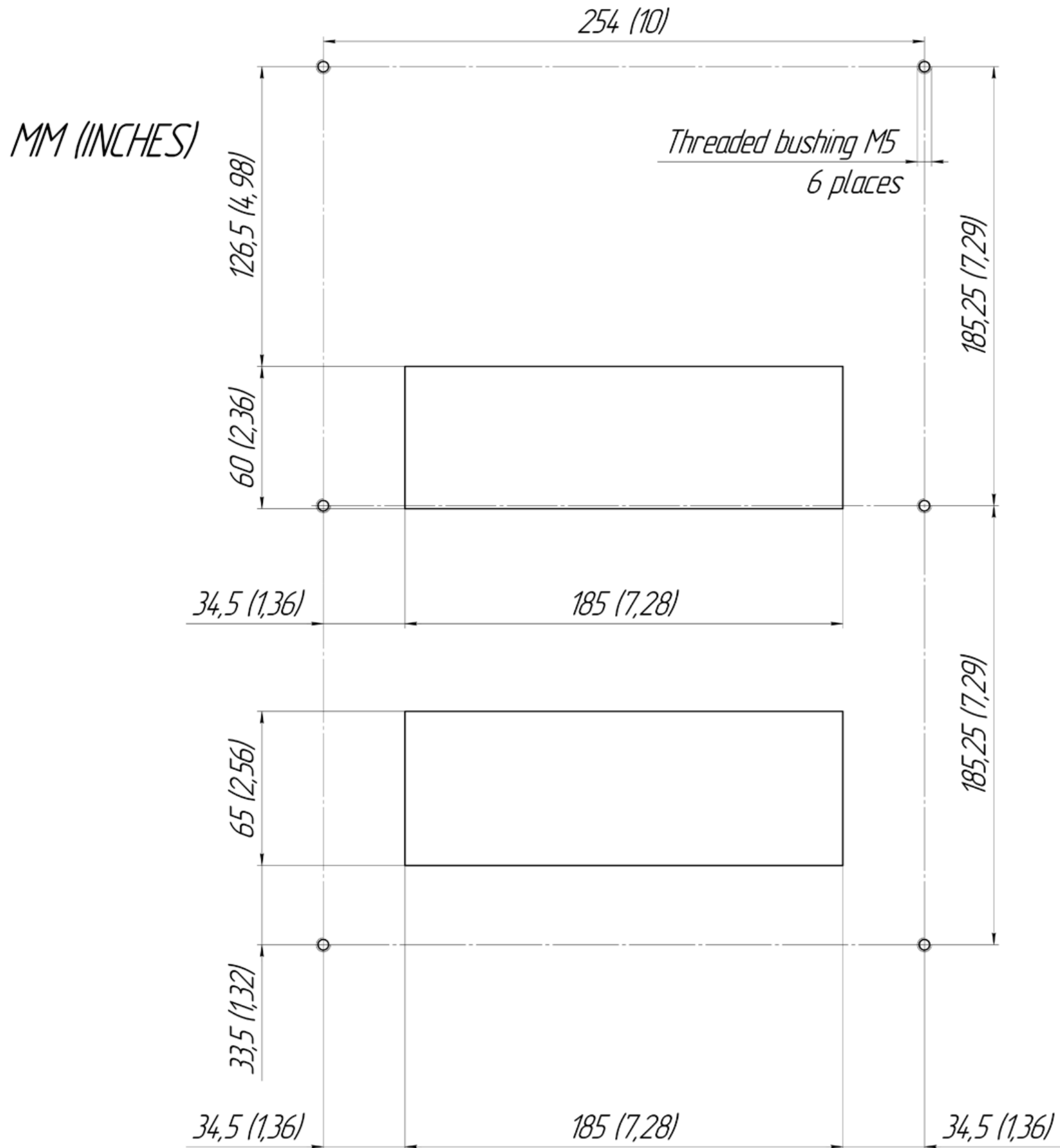
Contact us for more information
e-mail: info@crystaltherm.com.

+7-495-664-24-31 , +7-495-519-88-52 , +7-495-519-00-69

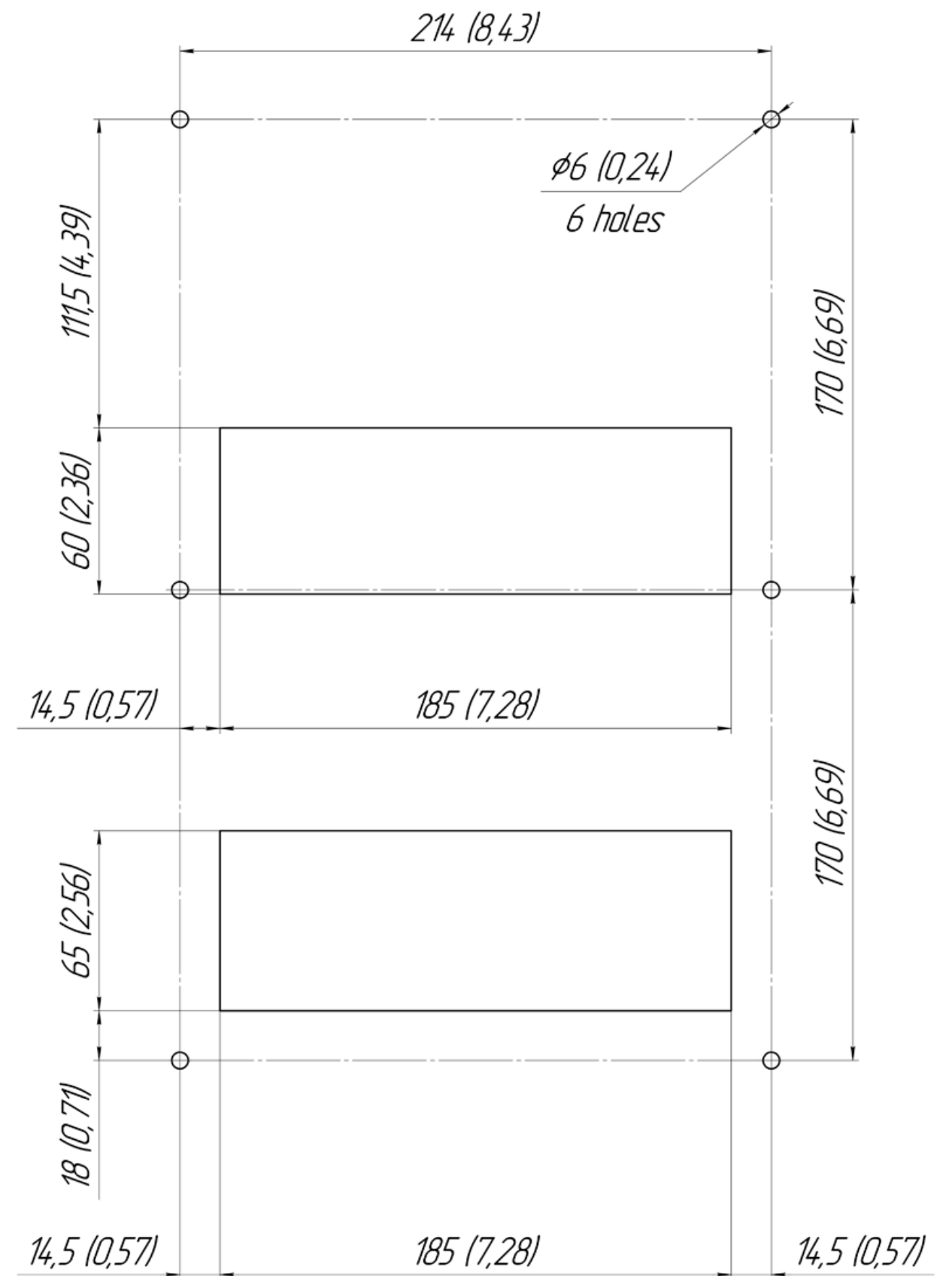
Fax: +7-495-515-40-94

Mounting hole location

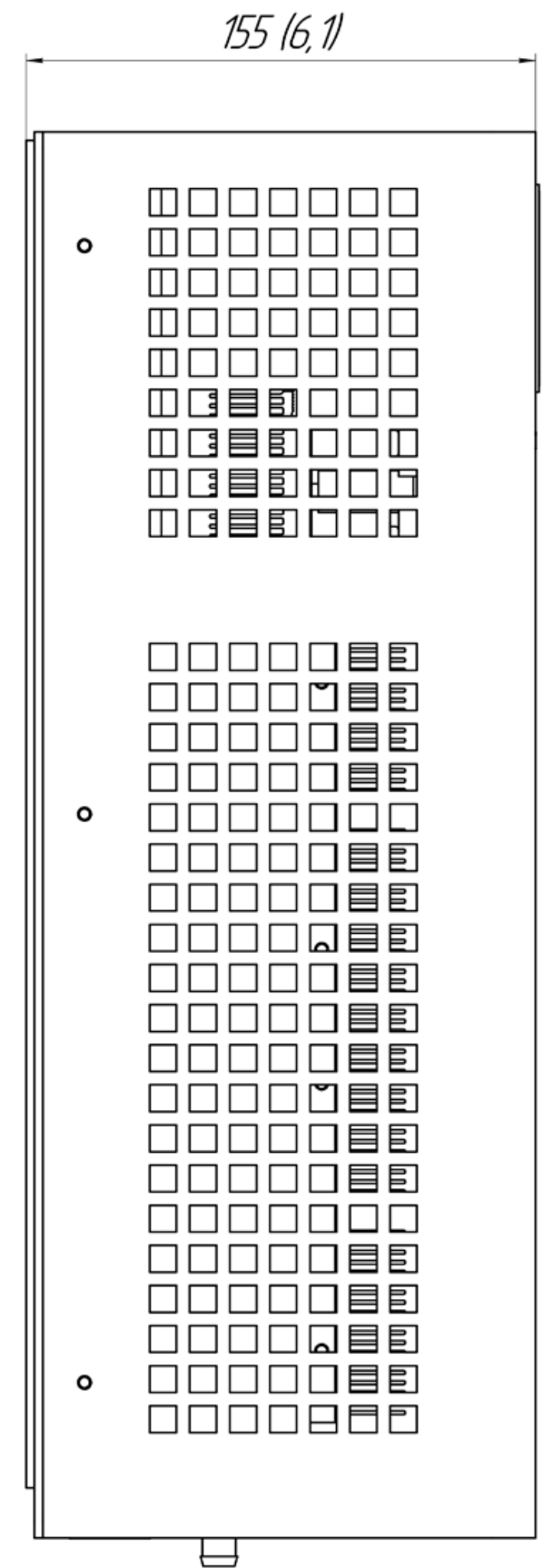
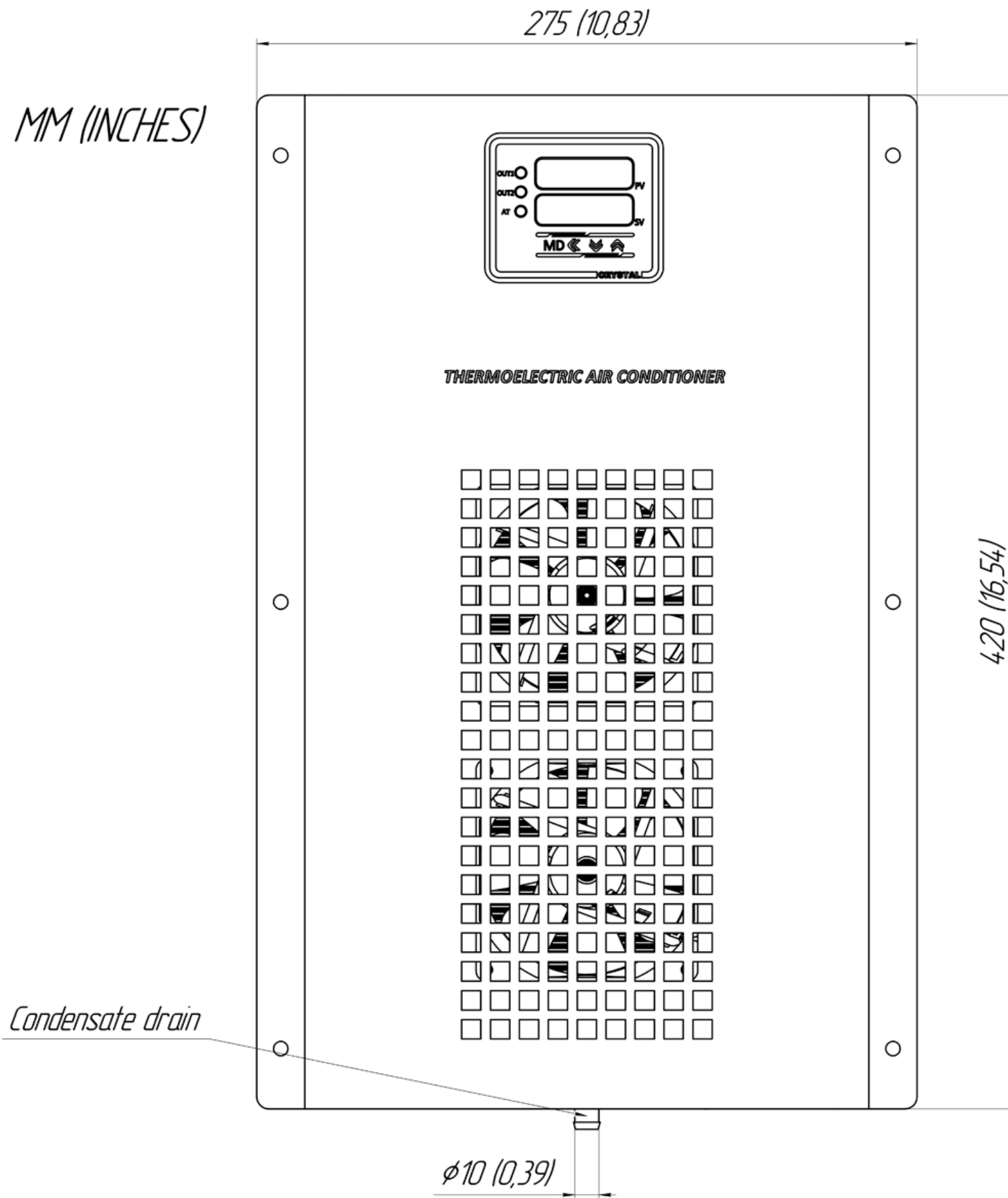
Type I0

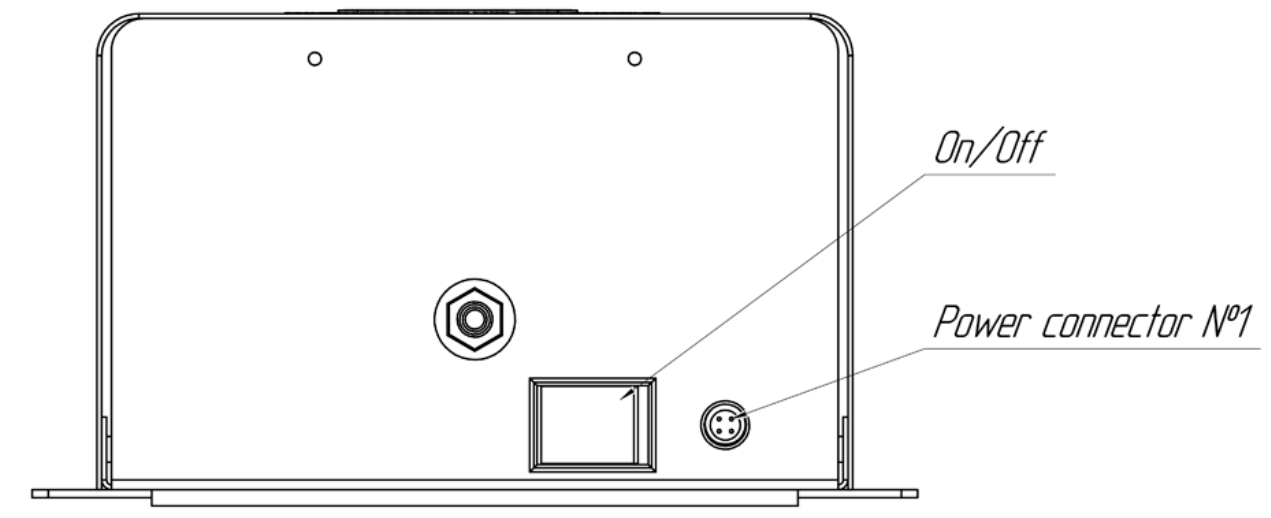
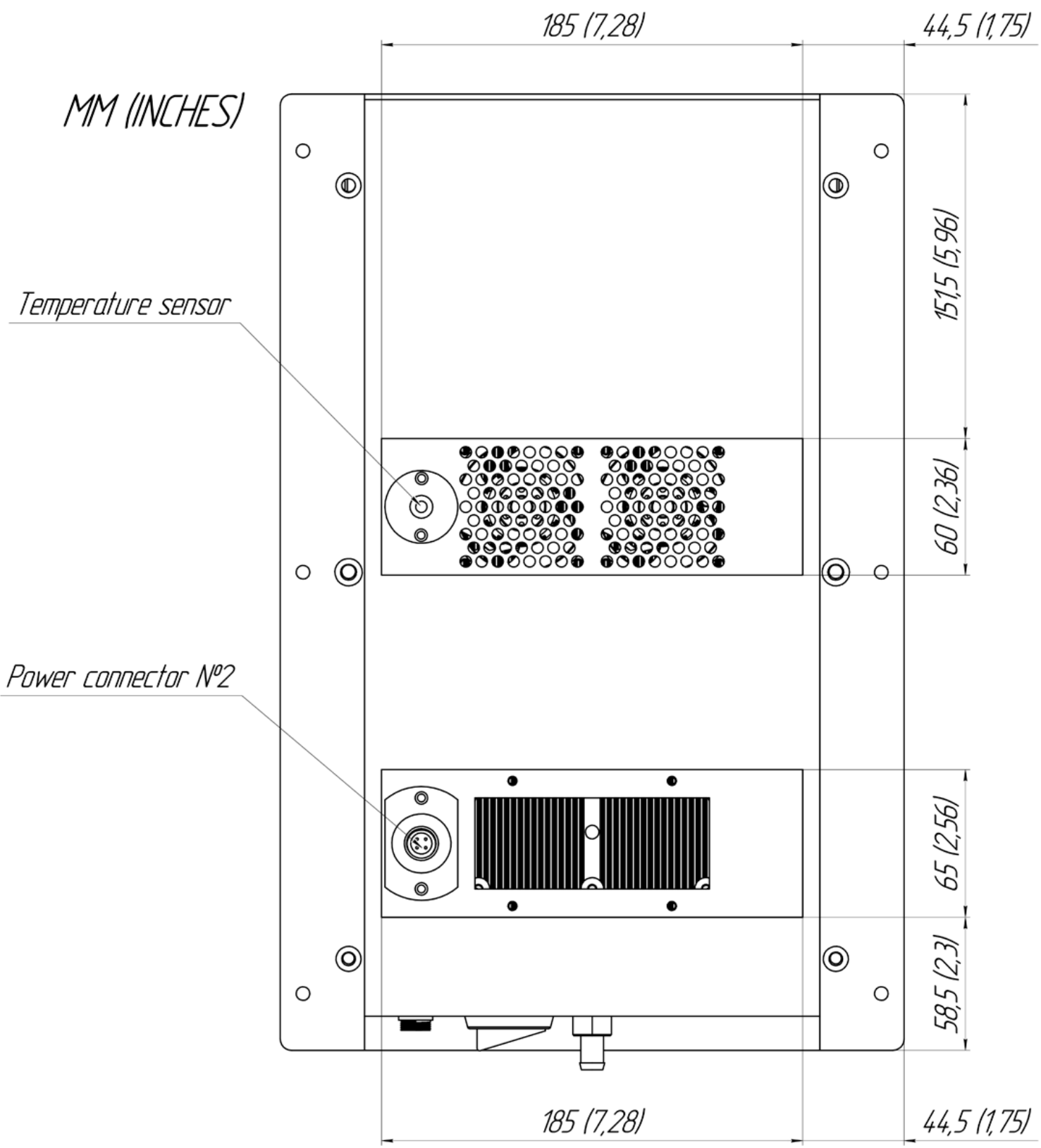


Type II



Dimensions of the assembly version IO





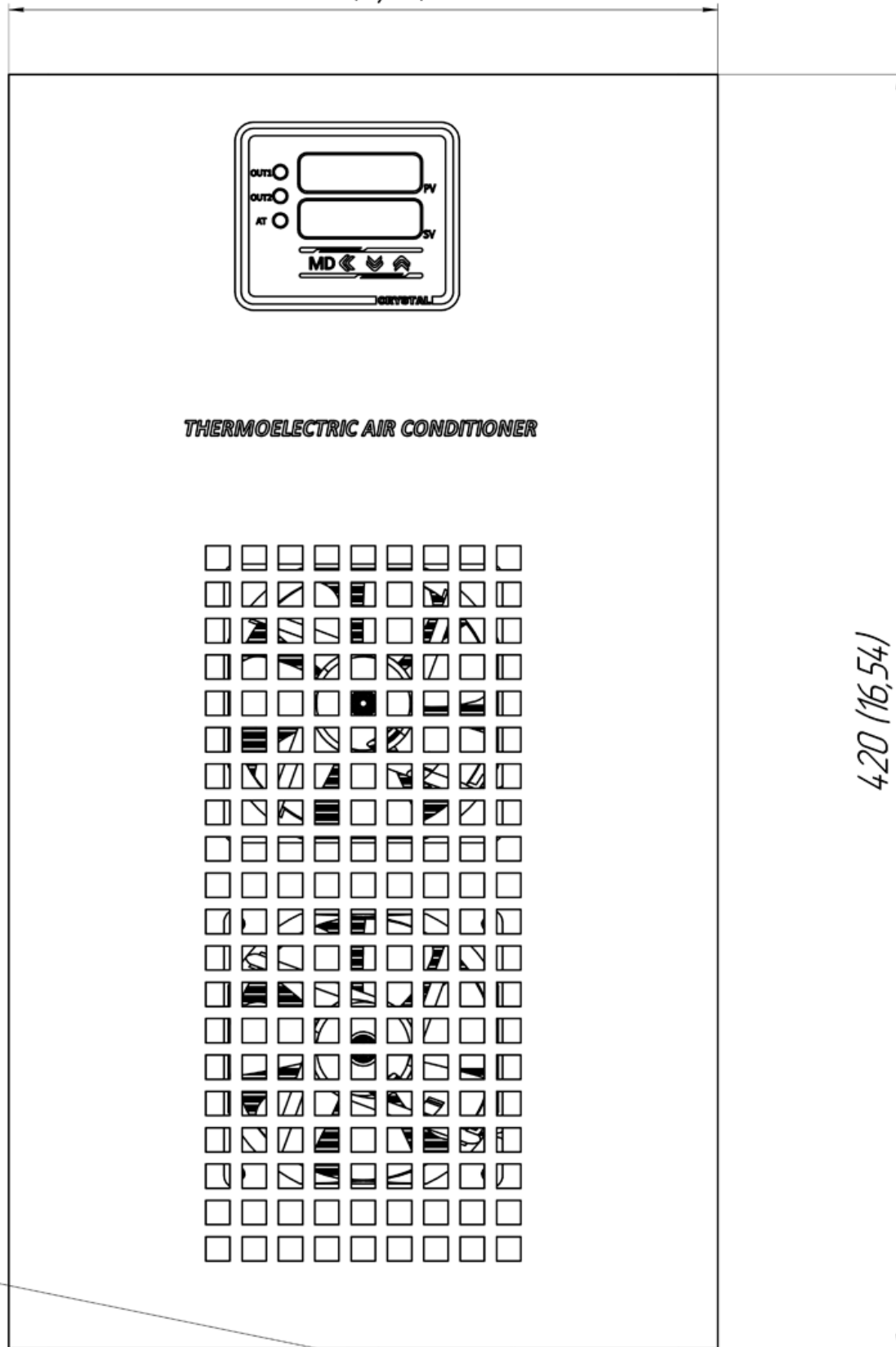
Contact us for more information
 e-mail: info@crystalltherm.com.

+7-495-664-24-31 , +7-495-519-88-52 , +7-495-519-00-69
 Fax: +7-495-515-40-94

Dimensions of the assembly version II

MM (INCHES)

235 (9,25)

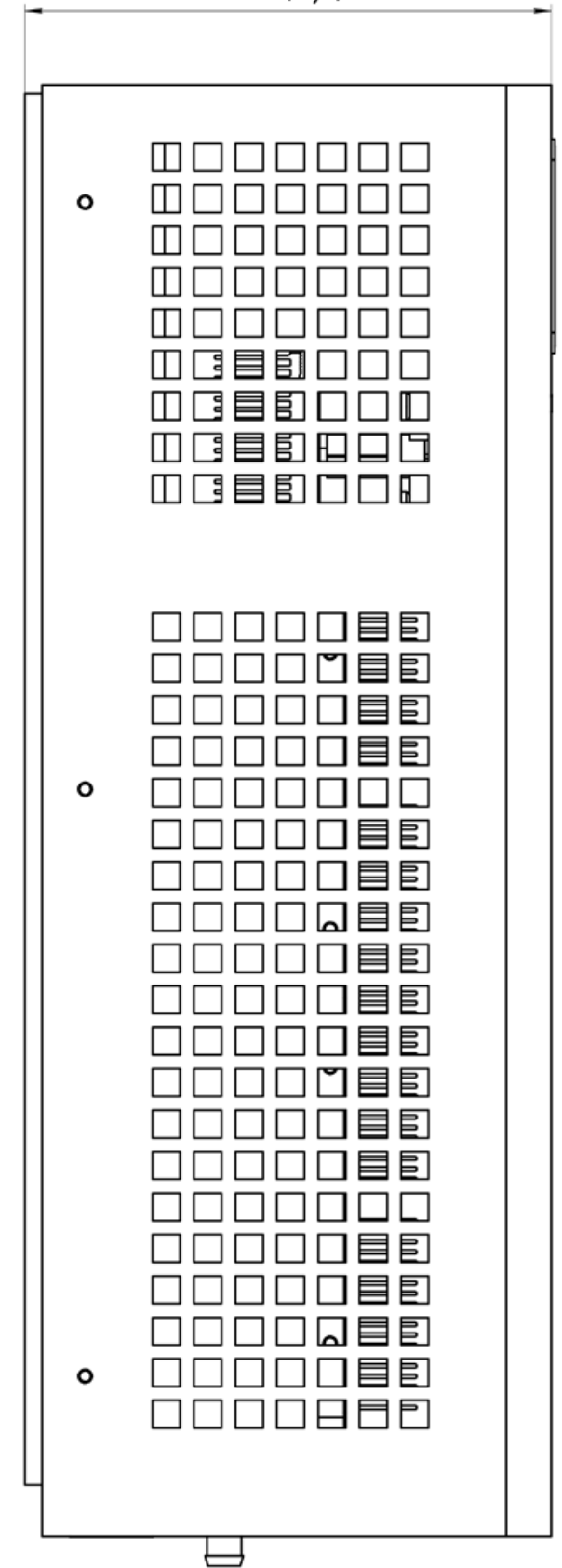


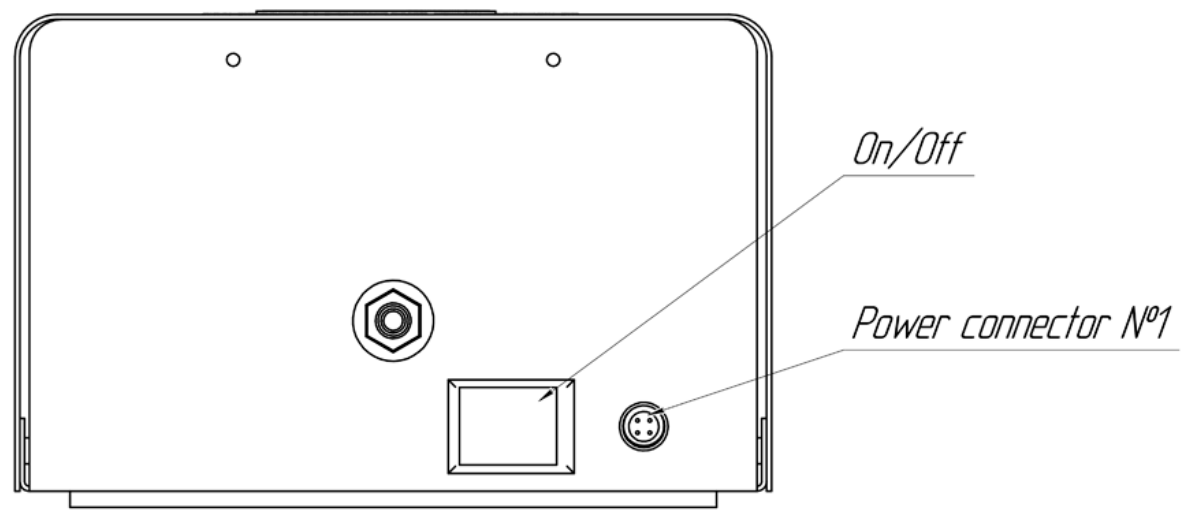
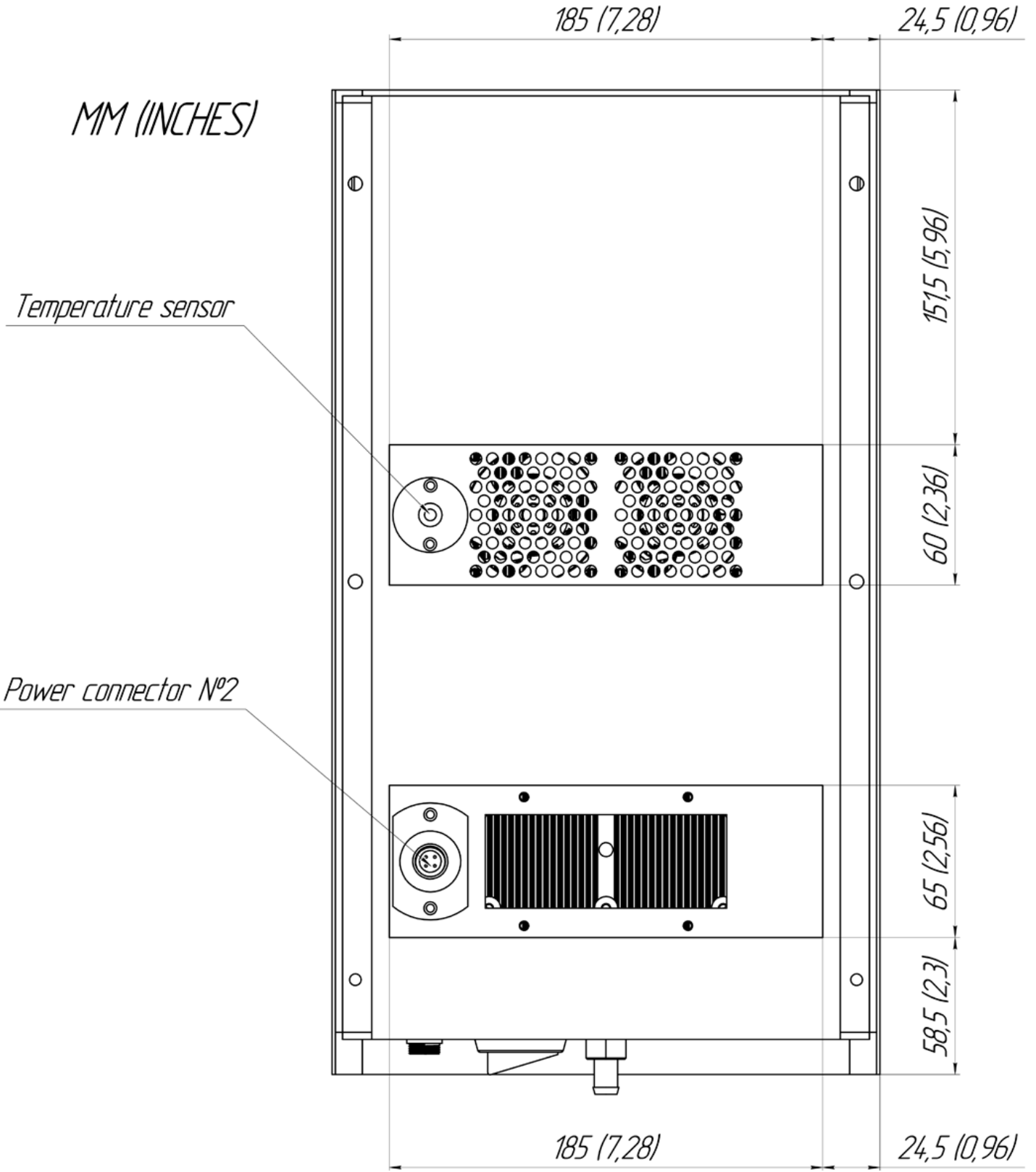
420 (16,54)

Condensate drain

$\phi 10$ (0,39)

155 (6,1)





Contact us for more information
 e-mail: info@crystalltherm.com
 +7-495-664-24-31 , +7-495-519-88-52 , +7-495-519-00-69
 Fax: +7-495-515-40-94

Methods of location of temperature sensor

