

Crystal LTD TM SPEC Form

www.crystaltherm.com

Customer

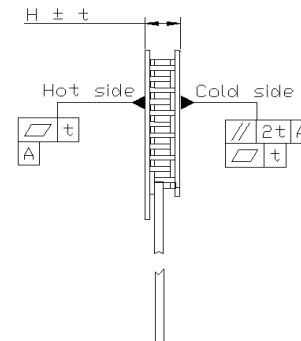
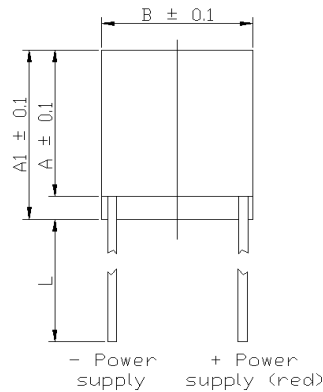
PO#

PO date

Thermoelectric module (TM) specification

PO position #	TM	Internal Solder Melting Temp, C	Max operating temperature, °C		Parameters in vacuum at hot side temperature 25 °C				Rac at 25 °C		Ceramic size, mm		TM Height		Wire			Sealing
			short peak	continuous operation	I _{max} , A	U _{max} , V	Q _{max} , W	dT _{max} , K	Rac, Ohm	Tolerance ±, %	A/A1	B	Height, mm	Tolerance t, ± mm	S, mm ²	Length, mm	Tolerance ±, mm	
1	S-011-07-10	138	130	115	2.2	1.4	2.0	72.5	0.47	10	6/6	8	2.40	0.2	0.12	100	5	
															MGTF teflon			
															or			
															30AWG solid tinned uninsulated			

Clamping force: 0.1 - 1.3 kg



www.crystaltherm.com

Max dT is reduced by 2-3K for silicon sealed and 1-2K for epoxy sealed versions.



U(dT) at Thot=298K

